



GW355

# Freestanding Outdoor Patio Heater

## Information For Use

Thank you for purchasing this Freestanding Outdoor Patio Heater from Gardenwize.

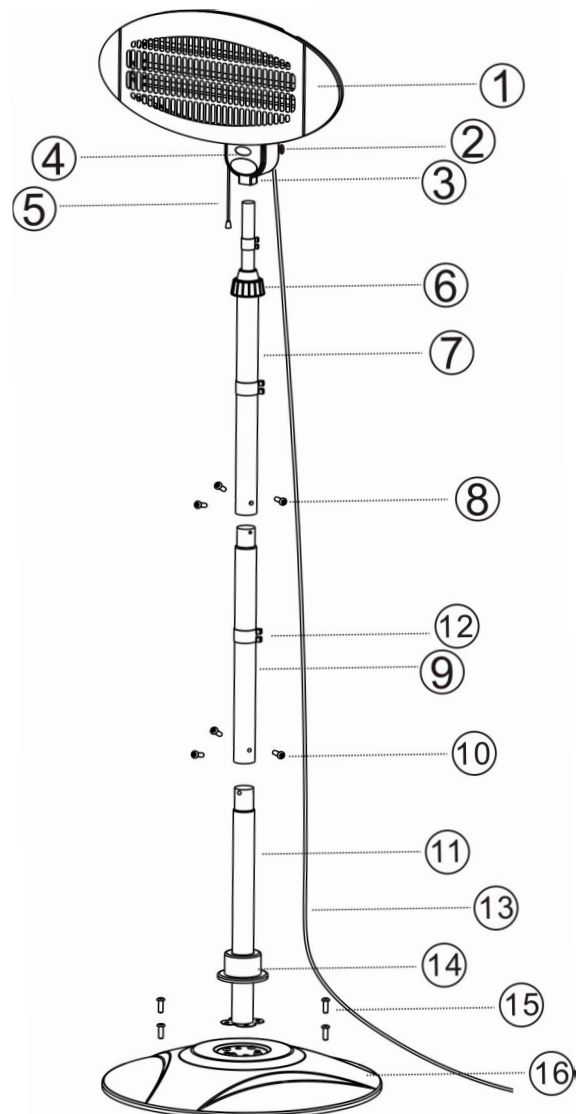
This product is intended for use to keep you and your friends/ family warm & cosy as you relax and socialise in your garden. And with its IP34 waterproof grading, it is perfect for all year round usage and helps to keep the cold at bay.

It is designed to be placed in your garden's patio area. It is also suitable for terraces and decking areas.

This patio heater uses three quartz tubes as its heating element to radiate heat and is not designed for indoor use.

## Product Elements

- 1 Heating Element Assembly
- 2 Knob
- 3 Body
- 4 Position Indication Plate
- 5 Pull Switch
- 6 Tube Cover
- 7 Upper Post Assembly
- 8 3 -M5 x 6 Screw
- 9 Middle Post
- 10 3-M5 x 6 Screw
- 11 Lower Post Assembly
- 12 Clamp
- 13 Power Cord
- 14 Base Cover
- 15 4-M6 x 30 Screw
- 16 Base Assembly



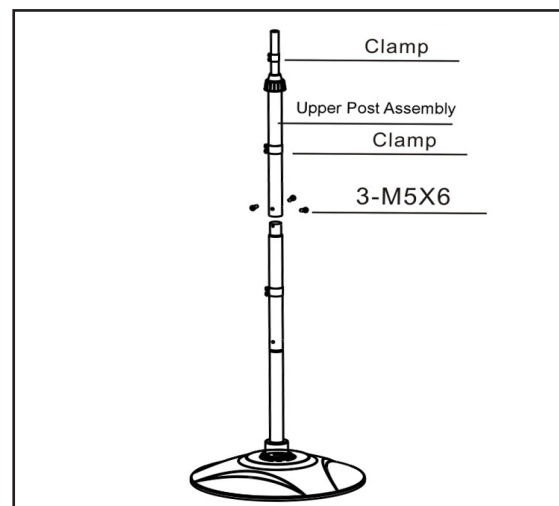
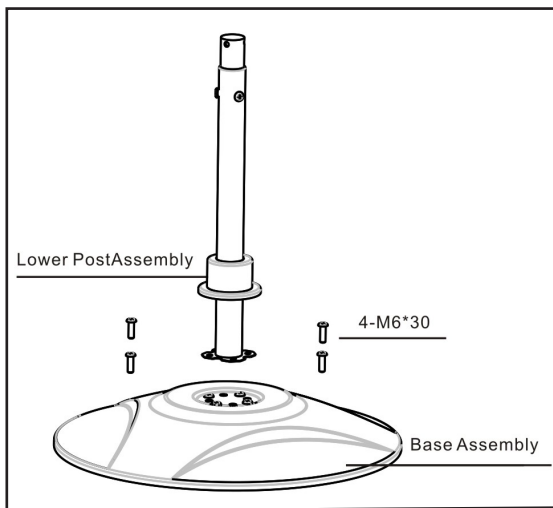


## Assembly Instructions

Carefully remove all the product elements from the packaging.

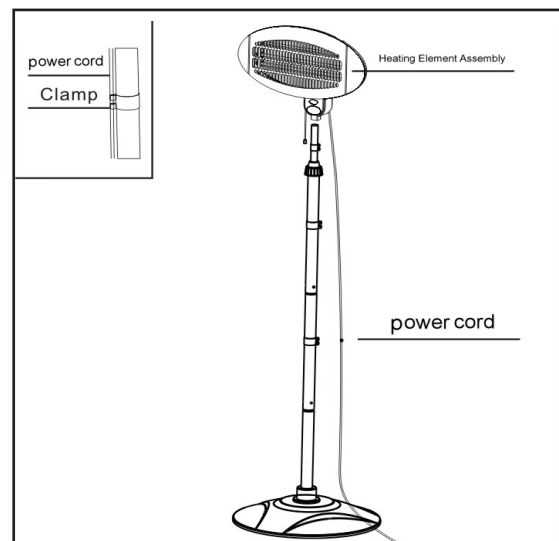
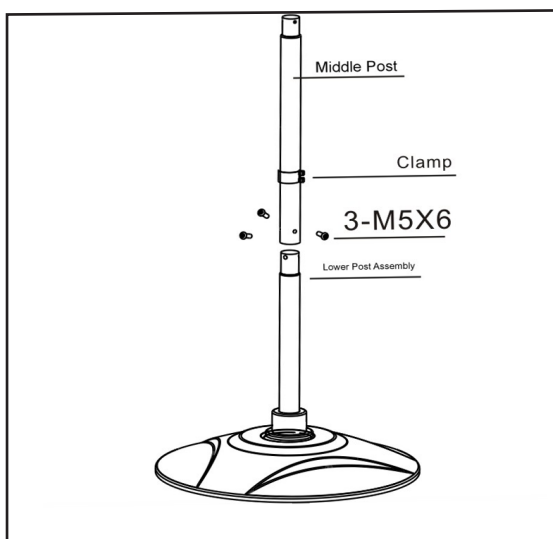
**IMPORTANT:** This product comes unassembled out-of-the-box, however the supplied bolts are already screwed in place. Please remove these bolts before assembling the product. You will need a Philips screwdriver (not included).

1. Fix the bottom tube to the base using the 4pce M6 x 30mm screws.
3. Screw 3 x M5 6mm screws into end of the upper tube and attach the cord support clamp to the upper tube before fixing to the middle pole.



2. Screw 3 x M5, 6mm screws into end of the middle tube and attach the cord support clamp to the middle tube before fixing to the base pole.

4. Attach the cord support clamp to the top part of the upper tube before, Then fix the heater head to the top tube using the plastic screw in the heater head.



Once the patio heater has been assembled, place it in a suitable location in your garden and connect it to your mains power supply.



## Operating Instructions

### Turning On/Off and Adjusting Heat Settings

Once the patio heater is connected to your mains power supply and in position, pull the pulley switch to turn on.

This patio heater has 3 heat settings. When you first pull the switch, the heater will go to the first heat setting.

[1], which is the lowest setting.

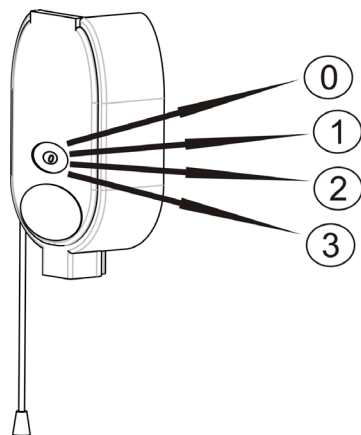
Then on the second and third pull, the heater will go to the second [2] and third [3] setting, with third being the highest heat setting.

When the heater reaches the third setting, and you pull the switch afterwards, the heater will turn off.

The table below shows the wattage of each heat setting.

### Heat Setting Wattage

- 1 650W
- 2 1350W
- 3 2000W



### Adjusting the height and angle of the head

You can adjust the height of the patio heater via the height adjustment lock located on the top. Simply rotate the lock anti-clockwise to unlock, set the height and then rotate the lock clockwise to secure the height. To adjust the angle of the head, ensure the heater is OFF and safe to handle, then simply tilt to the required angle.

## Replacing The Quartz Tubes

What You'll Need: Philips screwdriver

If one of the quartz tubes is NOT functioning properly, then you will need to replace it. To replace, please follow the instructions below.

Ensure the patio heater is fully disconnected from the mains power supply, and the heater is fully cooled down.

Carefully remove the heater unit from the standing pole.

Using a Philips screwdriver, unscrew the four screws behind the heater unit and then carefully remove the back panel.

Next, remove the sheet metal guards on either side and then remove the faulty quartz tube from the silicon sockets on either side.

Insert the replacement quartz tube and then replace the sheet metal guards on either side.

Finally replace the back panel and re-tighten the screws.

## Health & Safety

This product is not a toy. Please keep children supervised at all times when using this product.

When this patio heater is in use, the quartz tubes get very hot. Avoid close contact with the quartz tube when in use. Risk of burn/injury.

When you are not going to use the patio heater for a prolonged period of time, please place into storage.

Never pour water directly onto the patio heater.

When replacing the quartz tube, please ensure the tube is fully cooled down.

## Technical Support & Spare Parts

If you require any technical support & spare parts (including quartz tubes), please contact us on [support@streetwizeaccessories.com](mailto:support@streetwizeaccessories.com) and provide product name and supplier code (see Technical Specifications) along with the technical query and proof of purchase.



## Technical Specifications

Product name	Gardenwize Freestanding Outdoor Patio Heater
Product code	GW355
Quartz tube	650W 40cm x3
Voltage	230V AC, 50Hz
Maximum Wattage	2000W
Waterproof rating	IP34
Adjustable height	180cm to 220cm
Base dimensions	50cm x 50cm



**IP34**

**Streetwize:** Ashburton Road West,  
Trafford Park, Manchester M17 1RY  
[www.streetwizeaccessories.com](http://www.streetwizeaccessories.com)

For product support:  
E: [support@streetwizeaccessories.com](mailto:support@streetwizeaccessories.com)  
T: +44 (0)161 447 8597

For trade enquiries:  
E: [sales@streetwizeaccessories.com](mailto:sales@streetwizeaccessories.com)  
T: +44 (0)161 447 8580

For spare parts:  
E: [spareparts@streetwizeaccessories.com](mailto:spareparts@streetwizeaccessories.com)

EU Registered address: **The Ace Supply Co (Europe) Ltd.**, 25 Herbert Place, Dublin 2, D02 A098 Republic of Ireland.